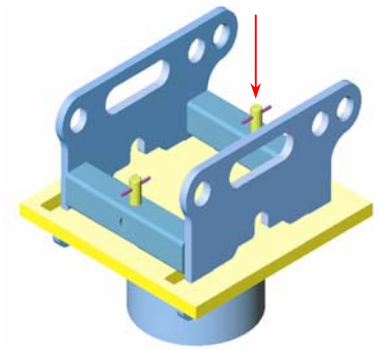
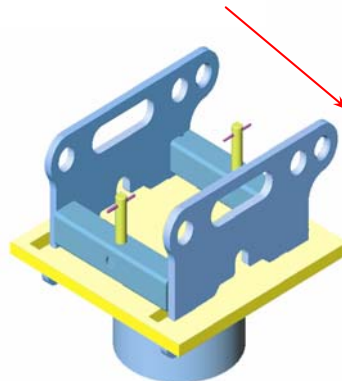
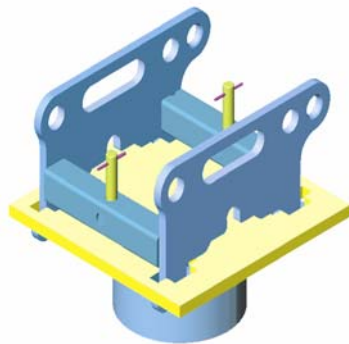
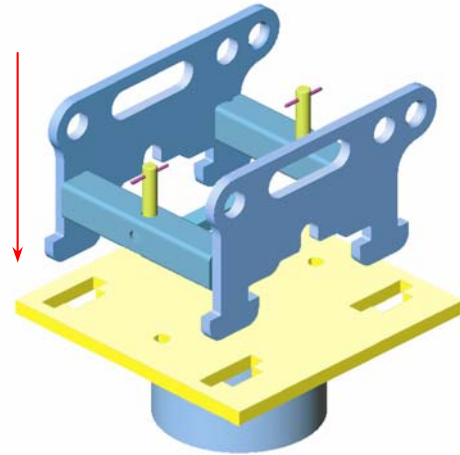


flush davit bases & pedestals

When davit bases are required on roofs where aesthetics, pedestrians or other traffic does not permit any protuberances, Tractel's **flush davit pedestals** provide an attractive solution.

Davit base adapters are temporarily fitted fixed to these special pedestals, secured with provided pins, making them ready to accept the davit arm.

All varieties of standard pedestals are available for every mounting method, including new or retrofit applications. Fig. 2 shows a typical detail, and other models are available.



U.S. patent No.: 6,536,734

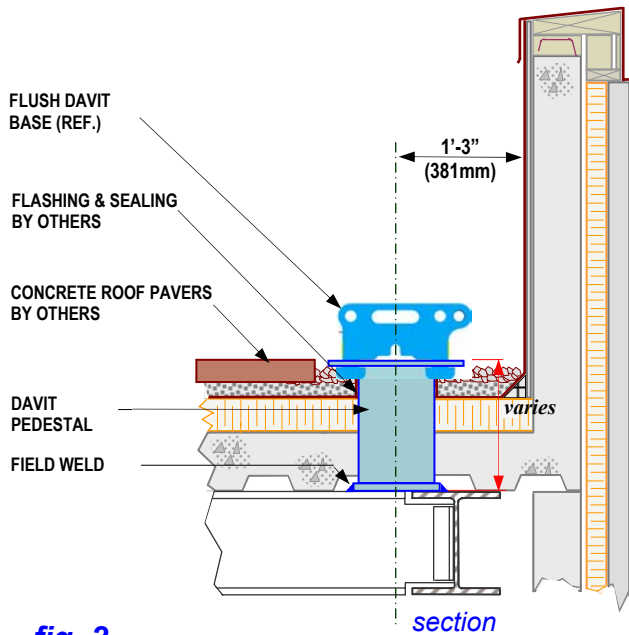


fig. 2

FLUSH DAVIT BASE series DS

materials:

base - G40.21-44W galvanized steel Fy = 44 KSI

ref. no.	maximum davit boom reach	weight
DS5F	8' - 6" (2.59 m)	36 lbs (16 kg)

FLUSH DAVIT PEDESTAL series DPF

welded to steel structure

materials:

pedestal - G40.21-44W galvanized steel Fy = 44 KSI